

# 1-800-BOLLARDS

## The Bollard Experts

REVISIONS			
LTR	DESCRIPTION	DATE	APPVD
COMMENTS			

SPECIFICATIONS
HEIGHT: 36"
DIAMETER: 3.50"
WALL THICKNESS: 0.280" SCHED 40

SELECT DESIRED MATERIAL:  
(3" NOMINAL SIZE)

RPSS03000 SCH 10 STAINLESS STEEL

RPSS03040 SCH 40 STAINLESS STEEL

RPSS03080 SCH 80 STAINLESS STEEL

RPCS03040 SCH 40 ASTM A-53 CARBON STEEL

RPCS03080 SCH 80 ASTM A-53 CARBON STEEL

SELECT DESIRED STAINLESS STEEL BOLLARD FINISH:

POLISHED #4 FINISH

AS SPECIFIED \_\_\_\_\_

SELECT DESIRED CARBON STEEL BOLLARD FINISH:

POWDER COAT RAL # \_\_\_\_\_

AS SPECIFIED \_\_\_\_\_

SELECT DESIRED STAINLESS STEEL BOLLARD MATERIAL:

TYPE 304

TYPE 316

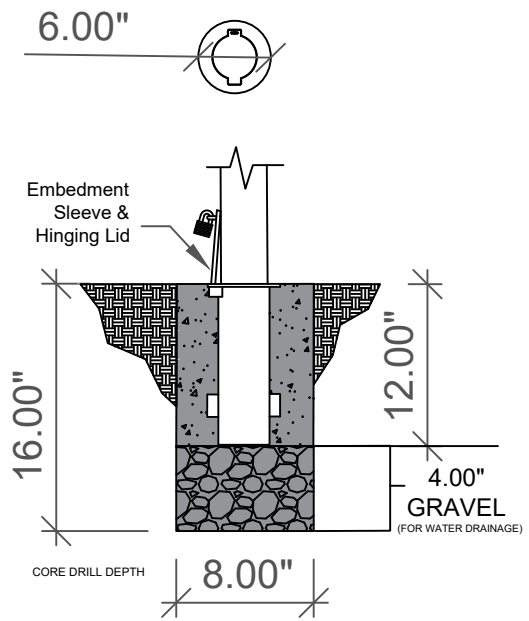
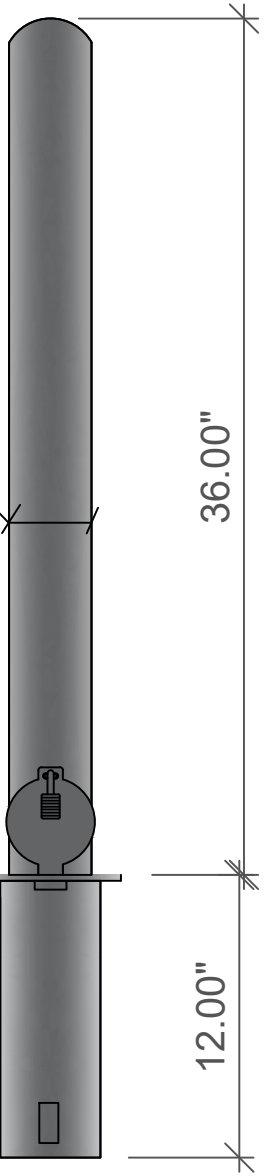
SELECT DESIRED BOLLARD CAP STYLE:

DOME (SHOWN)

STANDARD FLAT

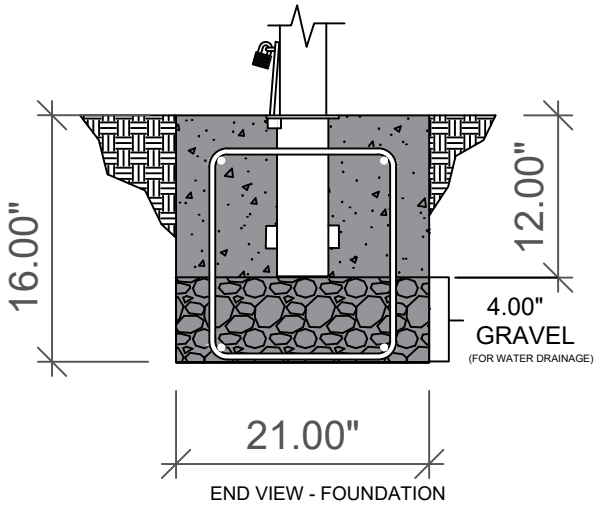
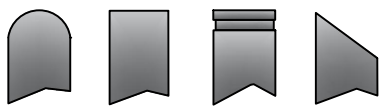
REVEAL

SLOPED



CORE DRILL MINIMUM DIAMETER

DOME (SHOWN)    STANDARD FLAT    REVEAL    SLOPED



SERIES NUMBER: YX-S060-XX	CAGE CODE: 6NGJ8	REV: 6th	DRAWING NUMBER: 6th Cutsheet Size A - R1
PRODUCT FAMILY: FIXED BOLLARD	DRAWN BY: AJA	CHECKED BY:	APPROVED BY:
PRODUCT CLASS: STANDARD OR CUSTOMER DEFINED	DRAWING REV: 1	CHECKED BY:	RELEASE DATE:
PRODUCT LINE: BOLLARD	DRAWING REV: 1 OF 1	CHECKED BY:	RELEASE DATE:
PRODUCT SUB LINE: PADLOCK REMOVABLE	APPROVED BY:	CHECKED BY:	RELEASE DATE:

APPLICATION	
NEXT ASSY	USED ON

1-800-BOLLARDS, Inc.  
10 Hughes Suite A105  
Irvine, CA 92618  
PHONE: 1-800-BOLLARDS  
WEB: WWW.1800BOLLARDS.COM  
EMAIL: INFO@1800BOLLARDS.COM

TITLE:  
BOLLARD, PADLOCK REMOVABLE

NOTES:  
 1. INSTALLATION TO BE COMPLETED IN ACCORDANCE WITH MANUFACTURER'S SPECIFICATIONS.  
 2. DO NOT SCALE DRAWING.  
 3. THIS DRAWING IS INTENDED FOR USE BY ARCHITECTS, ENGINEERS, CONTRACTORS, CONSULTANTS AND DESIGN PROFESSIONALS FOR PLANNING PURPOSES ONLY. THIS DRAWING MAY NOT BE USED FOR CONSTRUCTION.  
 4. ALL INFORMATION CONTAINED HEREIN WAS CURRENT AT THE TIME OF DEVELOPMENT BUT MUST BE REVIEWED AND APPROVED BY THE PRODUCT MANUFACTURER TO BE CONSIDERED ACCURATE.  
 5. CONTRACTOR NOTE: FOR PRODUCT AND COMPANY INFORMATION VISIT WWW.CADSWH.COM/HD AND ENTER REFERENCE NUMBER 1048-027.